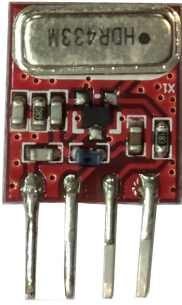


# TX02-ASK

315/ 433Mhz ASK Hybrid SAW Based



TX02-ASK is ASK Hybrid SAW based transmitter provides a complete RF transmitter solution, which can be transmitted data from any microprocessor or standard Encode IC. The compact size and low cost design keeping the components limited and ensuring the low hardware cost. The module is compatible with DIGIMORE range of ASK receiver modules.

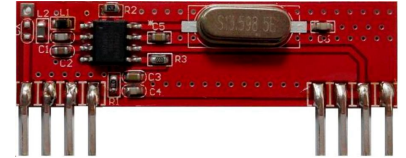
### APPLICATION:

- Complete RF Transmitter
- Car Alarm Systems
- Remote Gate Controls
- Sensor Reporting
- Automation System

### FEATURES:

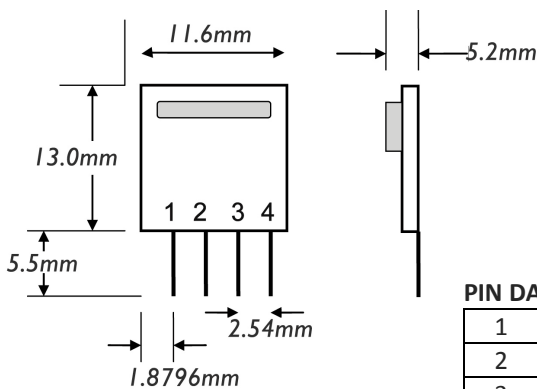
- Wireless Security Systems
- CMOS/ TTL Input
- Stable Operating Frequency
- Low Current Consumption
- Wide Operating Voltage 3 ~ 5.5VDC
- Available for 315/ 433.92Mhz

Rx also available

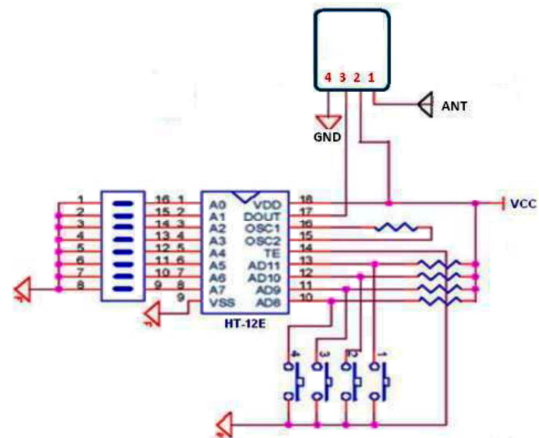


PARAMETER	CONDITION						UNIT	
			MIN	TYPICAL				MAX
Supply Voltage				3V	5V	9V	12V	V
Output Power	DATA Rate: 1Kbps	315Mhz		4	8	10	15	dBm
		Supply Current		7	15	25	33	mA
		433Mhz		4	8	10	15	dBm
		Supply Current		7	15	25	33	mA
Turn on Time	Data start out by VCC turn on		10	20				Ms
Data Rate				1K			3K	Bps
Offset				+/- 75				Khz
Input Duty	1Kbps data rate		45				55	%

DIMENSION	TYPICAL APPLICATION
-----------	---------------------



PIN DATA	
1	ANT
2	VCC
3	DATA
4	GND



\* Features and specification are subject to change without notice.



DIGIMORE ELECTRONICS CO., LTD  
 10 Fl., No. 61, Yan-Ping S. Rd., Taipei 100, Taiwan  
 TEL: +886 2 2311 3299 FAX: +886 2 2311 3375  
 Email: info@digimore.com.tw <https://www.digimore.com.tw>