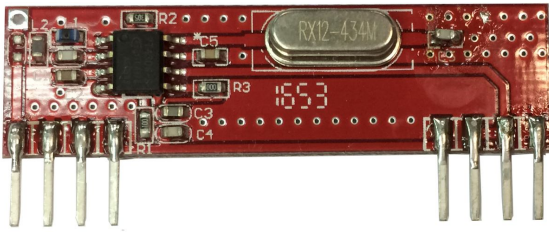


RX12S-ASK

433Mhz ASK Super Heterodyne Hybrid Receiver



FEATURES:

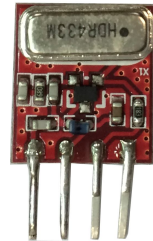
- ASK Demodulation
- Frequency available for 315/390/433.92Mhz
- Stable Operating Frequency
- Low Current Consumption
- Wide Operating Voltage 3 ~ 5.5VDC
- High Sensitivity: -110dBm

RX12S-ASK is ASK Super Heterodyne hybrid receiver module, which can be used to receive un-decoded / decoded data from the range of DIGIMORE ASK transmitter modules. The module is very simple to operate and offer a very low current consumption. Data can be transmitted directly into a microprocessor or decoding device. All receivers are compatible, producing CMOS/TTL Output, and only require connections to Power & Antenna.

APPLICATION:

- Wireless Security Systems
- Garage Door Controller
- Remote Gate Controls
- Data Communications
- Sensor Reporting

Tx also available



SPECIFICATION

Ambient Temperature= 25°C VCC=5V 1Kb/s AM99% Square-Wave Modulation

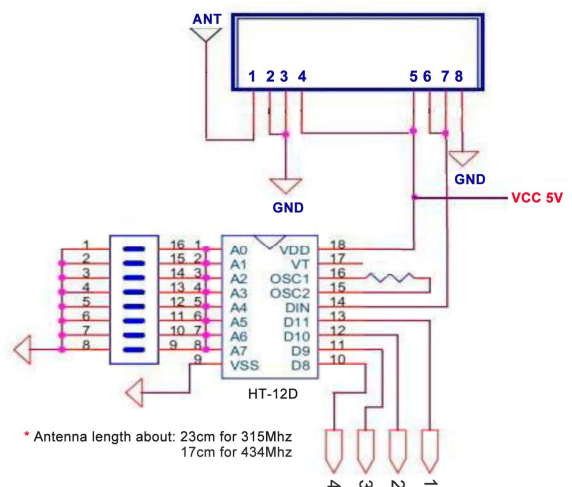
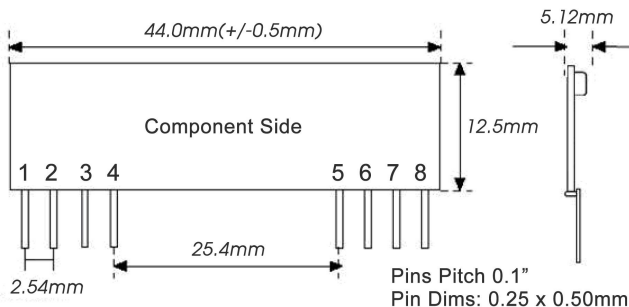
Characteristic	Min.	Typ.	Max.	Unit
Supply Voltage	3		5.5	VDC
Current Consumption		4.8		mA
RF Sensitivity		-110		dBm
Working Frequency		315/ 390/ 433.92		Mhz
High Level Output	0.8			VDD
Low Level Output			0.2	VDD
IF Bandwidth		380		Khz
Data Rate		1	10	Kbps
Temperature Range	-20		+75	°C

DIMENSION

TYPICAL APPLICATION

PIN DATA

1	ANT	5	VCC
2	GND	6	DATA
3	GND	7	DATA
4	VCC	8	GND



* Features and specification are subject to change without notice.