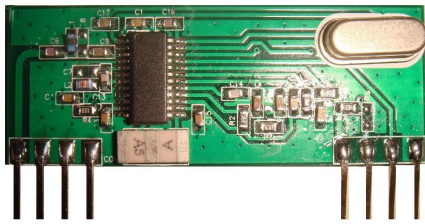


RX05A-ASK

303.875Mhz ASK Super Heterodyne Receiver



RX05A-ASK is ASK Super Heterodyne receiver module, which can be used to receive un-decoded data from the range of Digimore Transmitter modules. The module is very simple to operate and offers a low current consumption. Data can be transmitted directly into a microprocessor or decoding device. All receivers are compatible, producing CMOS/TTL Output, and only require connections to Power & Antenna.

FEATURES:

- ASK Demodulation
- Frequency available for 308.875/315/433.92Mhz
- Super Heterodyne RF Receiver
- Low Current Consumption
- Wide Operating Voltage 3 ~ 5VDC
- High Sensitivity: -109dBm

APPLICATION:

- Wireless Security Systems
- Garage Door Controller
- Remote Gate Controls
- Data Communications
- Sensor Reporting

SPECIFICATION

Ambient Temperature= 25°C VCC=5V 1Kb/s AM99% Square-Wave Modulation

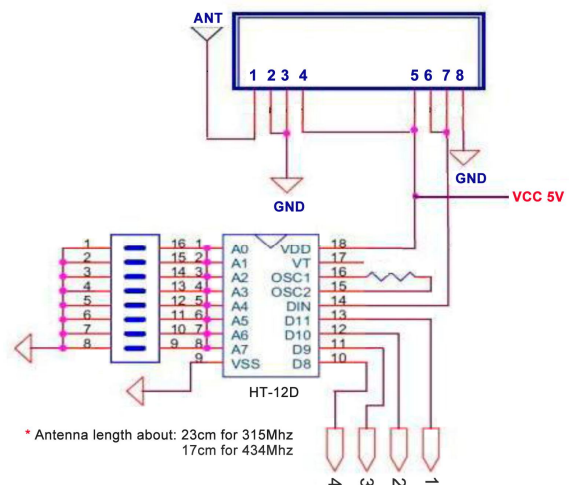
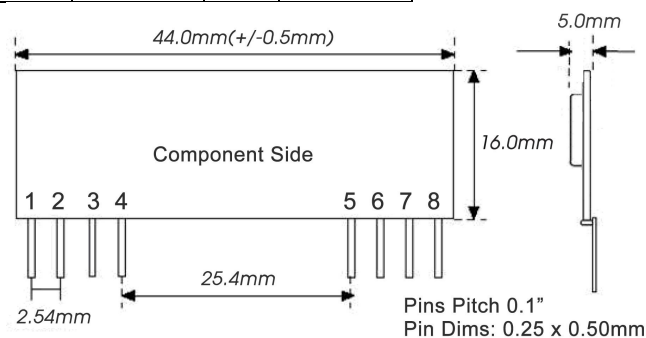
Characteristic	Min.	Typ.	Max.	Unit
Supply Voltage	2.8	5	5.5	VDC
Supply Current		5.6		mA
RF Sensitivity		-109		dBm
Working Frequency		303.875/ 315/ 433.92		Mhz
High Level Output	0.7Vcc			VDC
Low Level Output			0.2	VDD
Bandwidth		280		Khz
Operating Temperature	-20		+70	°C

DIMENSION

TYPICAL APPLICATION

PIN DATA

1	ANT	5	VCC
2	GND	6	DATA
3	GND	7	DATA
4	VCC	8	GND



* Features and specification are subject to change without notice.



DIGIMORE ELECTRONICS CO., LTD

10 Fl., No. 61, Yan-Ping S. Rd., Taipei 100, Taiwan

TEL: +886 2 2311 3299 FAX: +886 2 2311 3375

Email: info@digimore.com.tw <https://www.digimore.com.tw>